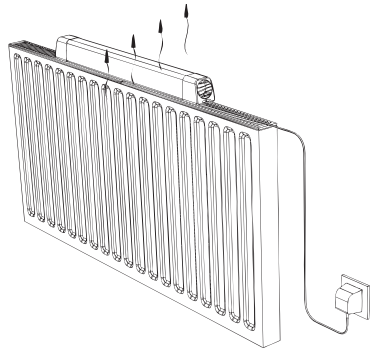




Instruction manual

- 1) Place the **Booster**® on top of a water-filled radiator, as close to the back wall as possible.
- 2) NEVER use the device on Oil-Filled or Electric radiators, and NEVER in a wet-room/ bathroom, etc.
- 3) Plug the power-adaptor into a wall socket, connect the **Booster**® lead, switch ON at the wall and the **Booster**® end-light will glow RED (●), the Stand-By condition.
- 4) Now wait for the radiator to get HOT. As HOT air rises up into the **Booster**® the fan will start up as soon as 30 degrees Celsius is reached. The light now turns GREEN, (○) to show the fan is running.
- 5) The **Booster**® will continue to operate until the radiator starts to cool down. When the temperature drops below 28 degrees C, the fan will stop running and the **Booster**® will go into 'Lock-Out' for 120 seconds, NO fan running. The light now flashes GREEN (⊗).
- 6) After the 'Lock-Out' period is complete, the **Booster**® will either return to Stand-By condition (●) with the light glowing RED (radiator is now cool), or it will start the fan once more with the light glowing GREEN (○) (radiator is still hot).
(●) RED=Standby. (○) Green= Fan Runs. (⊗) Green-Flash=Lock-Out
- 7) Please note! The radiator MUST get HOT in order for the device to work. If you can keep your hand on top of the radiator for at least 60 seconds, this indicates the radiator is not heating up properly. Consult a heating engineer.
- 8) In rare cases you may find the plastic housing makes a slight vibration noise against a radiator. We have included in the box some 'vibration-absorption' pads, which can be attached to the **Booster**® where it touches the radiator. These should reduce the noise.
- 9) During normal operation you may hear a slight fan noise – similar to that of a computer fan – this is normal. It is usually only just audible in a quiet room.
- 10) For further information and advice please contact your retailer, distributor, importer, or visit our website; www.radiatorbooster.com or www.tangogroup.net.
If you would prefer to speak to a human please call Tango Group on +44 (0)1452 621888.



Scan this code with your mobile phone to access the radiator booster website directly

